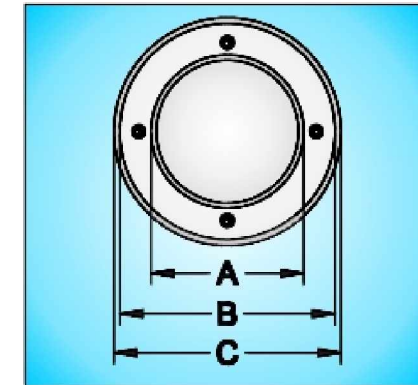
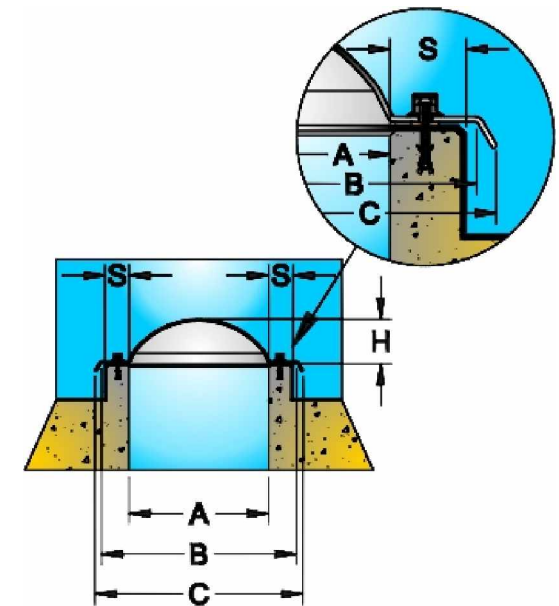
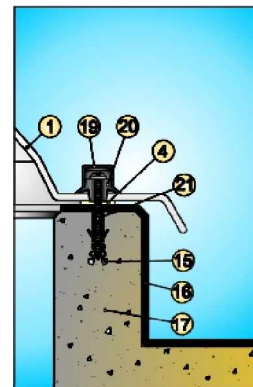
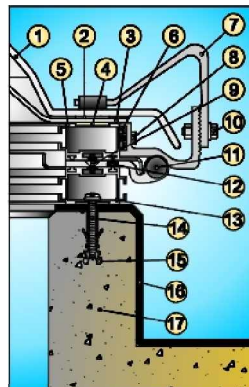


Circular roof-domes (C series)

Art.	Roof-domes				Roof-domes height	thickness		opening devices				indicative weight		
	Clean light "A" expressed in cm	Kerbstone made of reinforced concrete or other material "S" expressed in cm	Max roof-dome holder "B" expressed in cm	Max roof-dome dimensions "C" expressed in cm	Sail shape H expressed in cm	PMMA P.E/P.I. thickness mm	PC P.E/P.I. thickness mm	manual	electric	manhole	SmokExpel	PMMA e/o PC in Kg	PMMA e/o PC P.D. in Kg	Electric-Manual-manhole device in Kg
C1	∅ 40	7	∅ 56	∅ 60	12	3/3	3/3	○	○	---	---	1,2	2,4	4,0
C2	∅ 50	7	∅ 66	∅ 70	14	3/3	3/3	○	○	---	---	1,6	3,2	4,4
C3	∅ 60	7	∅ 76	∅ 80	16	3/3	3/3	○	○	○	---	2,0	4,1	4,8
C4	∅ 70	7	∅ 86	∅ 90	18	3/3	3/3	○	○	○	---	2,6	5,1	5,1
C5	∅ 80	7	∅ 96	∅ 100	20	3/3	3/3	○	○	○	---	3,1	6,2	5,5
C6	∅ 90	7	∅ 106	∅ 110	22	3/3	3/3	○	○	○	---	5,0	8,7	5,9
C7	∅ 95	7	∅ 111	∅ 115	23	4/3	4/3	○	○	○	---	5,4	9,5	6,1
C8	∅ 100	7	∅ 116	∅ 120	24	4/3	4/3	○	○	○	---	5,9	10,3	6,3
C9	∅ 110	7	∅ 126	∅ 130	26	4/3	4/3	○	○	○	---	6,9	12,0	6,6
C10	∅ 120	7	∅ 136	∅ 140	28	4/3	4/3	○	○	○	---	7,9	13,9	7,0
C11	∅ 130	7	∅ 146	∅ 150	30	4/3	4/3	○	○	○	---	9,1	15,8	7,4
C12	∅ 135	7	∅ 151	∅ 155	31	4/3	4/3	○	○	○	---	9,6	16,9	7,6
C13	∅ 140	7	∅ 156	∅ 160	32	4/3	4/3	○	○	○	---	10,3	18,0	7,8
C14	∅ 150	7	∅ 166	∅ 170	34	4/3	4/3	○	○	---	---	11,5	20,2	8,1
C15	∅ 160	7	∅ 176	∅ 180	36	4/3	4/3	○	○	---	---	12,9	22,6	8,5
C16	∅ 170	7	∅ 186	∅ 190	38	4/3	4/3	○	○	---	---	14,3	25,1	8,9
C17	∅ 180	7	∅ 196	∅ 200	40	4/3	---	○	○	---	---	15,8	27,7	9,3
C18	∅ 200	7	∅ 216	∅ 220	42	5/3	---	○	○	---	---	23,8	38,2	10,0



PARTICULARS



Square/rectangular roof dome Technical information

Features

Feature index with opening

- 1 external wall pavement light
- 2 acrylic biadhesive
- 3 internal wall pavement light
- 4 mono adhesive trimming
- 5 mobile aluminium counter frame
- 6 galvanized steel threaded cores
- 7 upper and lower clamp
- 8 galvanized steel hinge
- 9 galvanized steel flared head screw
- 10 galvanized steel hinge and nut
- 11 hinge
- 12 trimming
- 13 steady aluminium frame
- 14 galvanized steel screw
- 15 nylon panel
- 16 watertight coat
- 17 reinforced concrete kerbstone

index of the cap option on a feature with opening

- 18 galvanized steel screw
- 19 nylon cap
- 20 under suction nylon cap

fixed feature index

- 1 external wall pavement light
- 4 mono adhesive trimming
- 15 nylon panel
- 16 watertight coat
- 17 reinforced concrete kerbstone
- 19 nylon cap
- 20 under suction nylon cap
- 21 galvanized steel screw