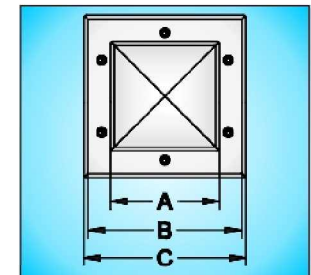
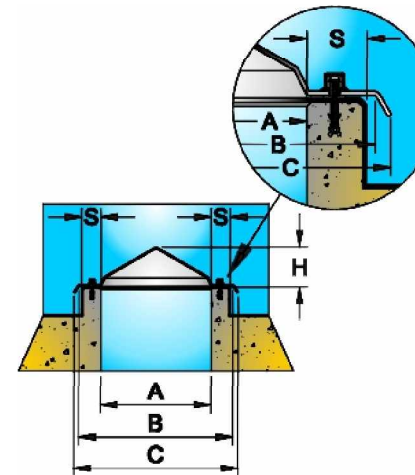
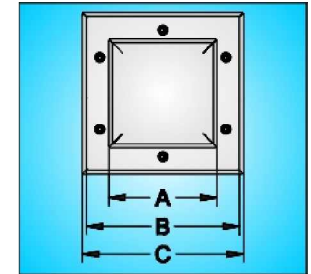
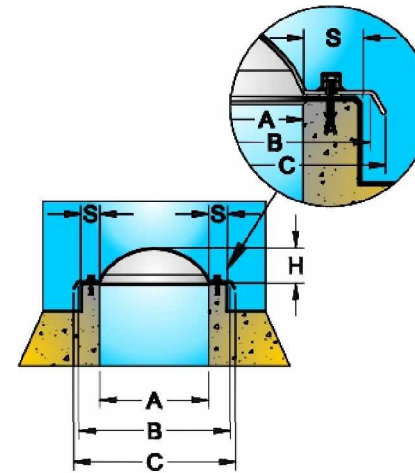
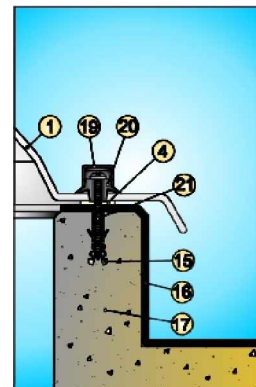
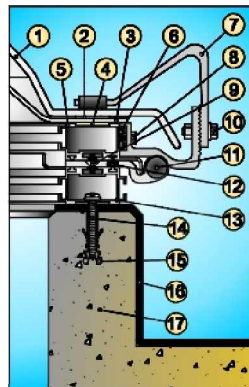


Monolithic square roof-domes (Q series)

Art.	Roof-domes				Roof-domes height		thickness		opening devices				indicative weight			
	Clean light "A" expressed in cm	Kerbstone made of reinforced concrete or other material "S" expressed in cm	Max roof-dome holder "B" expressed in cm	Max roof-dome dimensions "C" expressed in cm	Sail shape H expressed in cm	Diamond head shape H expressed in cm	PMMA P.E/P.I. thickness mm	PC P.E/P.I. thickness mm	manual	electric	manhole	SmokExpel	PMMA e/o PC P.S. in Kg	PMMA e/o PC P.D. in Kg	Electric-Manual-manhole device in Kg	SmokExpel system in Kg
Q1	40x40	7	56x56	60x60	12	15,2	3/3	3/3					1,5	3,0	4,5	-
Q2	50x50	7	66x66	70x70	14	15,5	3/3	3/3					2,0	4,1	5,0	-
Q3	60x60	7	76x76	80x80	16	15,8	3/3	3/3					2,6	5,2	5,5	-
Q4	70x70	7	86x86	90x90	18	16,1	3/3	3/3					3,2	6,5	6,0	13,0
Q5	80x80	7	96x96	100x100	20	16,4	3/3	3/3					4,0	7,9	6,5	13,5
Q6	90x90	7	106x106	110x110	22	16,7	3/3	3/3					4,8	9,5	6,9	13,9
Q7	100x100	7	116x116	120x120	24	16,9	4/3	4/3					7,5	13,1	7,4	14,4
Q8	110x110	7	126x126	130x130	26	17,2	4/3	4/3					8,7	15,3	7,9	15,9
Q9	120x120	7	136x136	140x140	28	17,5	4/3	4/3					10,1	17,7	8,4	16,4
Q10	130x130	7	146x146	150x150	30	17,8	4/3	4/3					11,5	20,2	8,9	16,9
Q11	140x140	7	156x156	160x160	32	18,1	4/3	4/3					13,1	22,9	9,3	17,3
Q12	150x150	7	166x166	170x170	34	18,4	4/3	4/3					14,7	25,7	9,8	17,8
Q13	160x160	7	176x176	180x180	36	18,7	4/3	4/3					16,4	28,7	10,3	18,3
Q14	170x170	7	186x186	190x190	38	19,0	4/3	4/3					18,3	31,9	11,8	19,8
Q15	180x180	7	196x196	200x200	40	19,3	5/3	---					25,2	40,3	12,3	20,3
Q16	200x200	7	216x216	220x220	42	19,6	5/3	---					30,4	48,6	13,2	21,2



PARTICULARS



Square/rectangular roof dome Technical information

Features

Feature index with opening

- 1 external wall pavement light
- 2 acrylic biadhesive
- 3 internal wall pavement light
- 4 mono adhesive trimming
- 5 mobile aluminium counter frame
- 6 galvanized steel threaded cores
- 7 upper and lower clamp
- 8 galvanized steel hinge
- 9 galvanized steel flared head screw
- 10 galvanized steel hinge and nut
- 11 hinge
- 12 trimming
- 13 steady aluminium frame
- 14 galvanized steel screw
- 15 nylon panel
- 16 watertight coat
- 17 reinforced concrete kerbstone

index of the cap option on a feature with opening

- 18 galvanized steel screw
- 19 nylon cap
- 20 under suction nylon cap

fixed feature index

- 1 external wall pavement light
- 4 mono adhesive trimming
- 15 nylon panel
- 16 watertight coat
- 17 reinforced concrete kerbstone
- 19 nylon cap
- 20 under suction nylon cap
- 21 galvanized steel screw